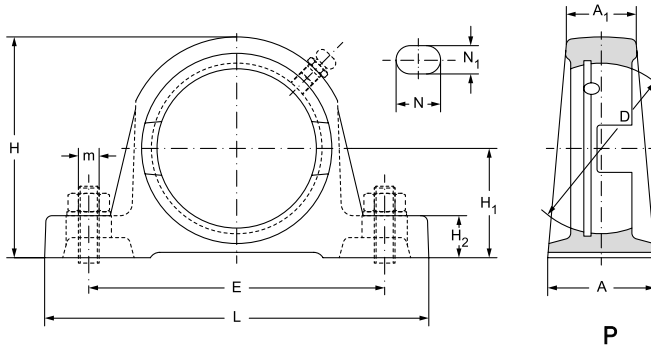


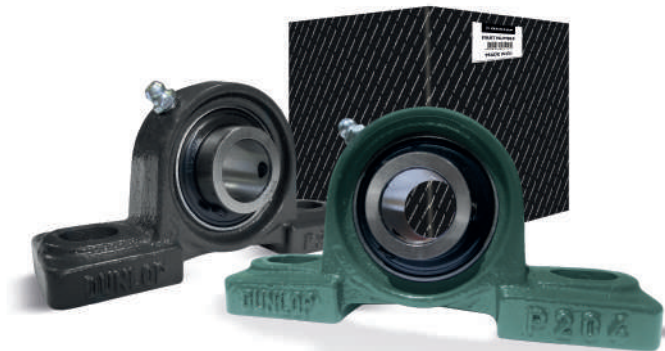
Upright location units with clamp ring d = 25 to 40 mm

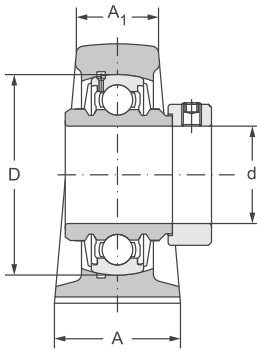


P

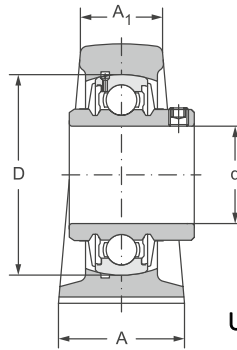
12.13.7

Main dimensions											
d	D	L	E	H	H ₁	H ₂	A	A ₁	N	N ₁	m
mm											
25	52	130	102	70,5	36,5	14	34	22	17	12	M10
	52	130	102	70,5	36,5	14	34	22	17	12	M10
30	62	155	118	84	42,9	17	39	24	20	15	M12
	62	155	118	84	42,9	17	39	24	20	15	M12
35	72	160	128	93	47,6	19	44	29	20	15	M12
	72	160	128	93	47,6	19	44	29	20	15	M12
40	80	175	133	100	49,2	19	50	32	20	15	M12
	80	175	133	100	49,2	19	50	32	20	15	M12
45	85	190	146	70,5	54	14	20	54	36	20	M14
	85	190	146	70,5	54	14	20	54	36	20	M14
50	90	206	159	114	57,2	17	21	60	38	23	M16
	90	206	159	114	57,2	17	21	60	38	23	M16
55	100	220	172	125	63,5	19	23	60	44	23	M16
	100	220	172	125	63,5	19	23	60	44	23	M16
60	110	241	186	134	68,9	19	50	70	47	23	M16
	110	241	186	134	68,9	19	50	70	47	23	M16





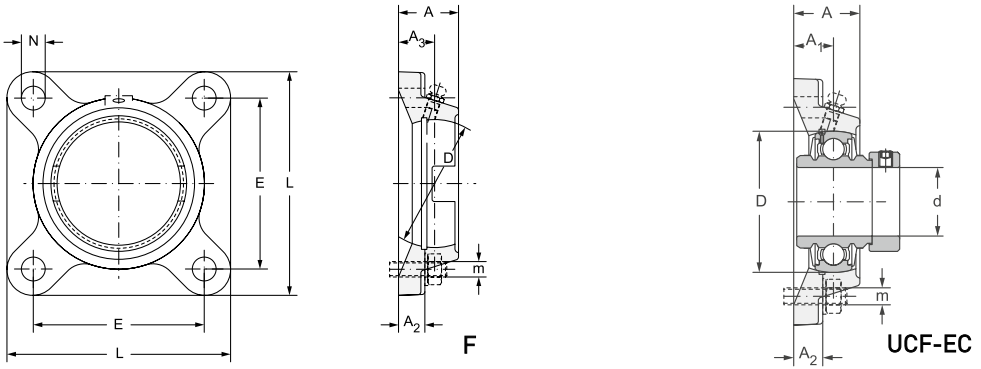
UCP-EC



UCP

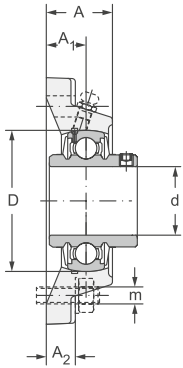
Basic load rating		Designation of			Weight
dynamic C_r	static C_{or}	unit	housing	bearing	
kN					kg
10.78	7,94	UCP 205/25 EC	P205	UA205	0,74
10.78	7,94	UCP 206/30 EC	P205	UC205	0,68
14.97	11,2	UCP 206/30 EC	P206	UA206	1,2
14.97	11,2	UCP 206/30	P206	UC206	1,12
19.75	15,2	UCP 207/35 EC	P207	UA207	1,6
19.75	15,2	UCP 207/35	P207	UC207	1,46
22.71	15.97	UCP 208/40 EC	P208	UA208	1,95
22.71	15.97	UCP 208/40	P208	UC208	1,8
24.36	17,71	UCP 209/45 EC	P209	UC 209/45 EC	2.20
24.36	17,71	UCP 209/45	P209	UC 209/45	1.98
26.98	19.84	UCP 210/50 EC	P210	UC 210/50 EC	2.75
26.98	19.84	UCP 210/50	P210	UC 210/50	2.60
33.37	25.11	UCP 211/55 EC	P211	UC 211/55 EC	3.30
33.37	25.11	UCP 211/55	P211	UC 211/55	3.10
36.74	27.97	UCP 212/60 EC	P212	UC 212/60 EC	4.70
36.74	27.97	UCP 212/60	P212	UC 212/60	4.50

Four row flanged location units with clamp ring $d = 25$ to 40 mm



Main dimensions									
d	D	L	E	A	A ₁	A ₂	A ₃	N	m
mm									
25	52	95	70	27	14.3	14	19	12	M10
	52	95	70	27	14.3	14	19	12	M10
30	62	108	83	31	15.9	14	20	12	M10
	62	108	83	31	15.9	14	20	12	M10
35	72	117	92	34	17.5	16	20,5	14	M12
	72	117	92	34	17.5	16	20,5	14	M12
40	80	130	102	36	19	16	23	16	M14
	80	130	102	36	19	16	23	16	M14
45	85	137	105	38	19	18	23	16	M14
	85	137	105	38	19	18	23	16	M14
50	90	143	111	40	19	18	23	16	M14
	90	143	111	40	19	18	23	16	M14
55	100	162	130	43	22.2	20	25	19	M16
	100	162	130	43	22.2	20	25	19	M16
60	110	175	143	48	25.4	20	25	19	M16
	110	175	143	48	25.4	20	25	19	M16

12.13.8

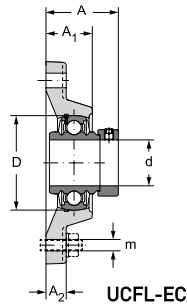
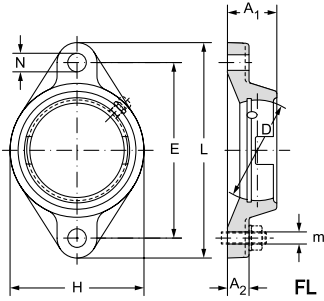


UCF

When using UE type bearings in FM hubs, the hub system designation is FME When using UD type bearings in FM hubs, the hub system designation is FMD When using US type bearings in FM hubs, the hub system designation is FMS

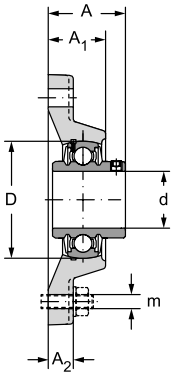
Basic load rating		Weight	Designation of		
dynamic C_r	static C_{or}		unit	housing	bearing
kN		kg			
10.78	6.88	0,83	UCF 205/25 EC	F205	UC 205/25 EC
10.78	6.88	0,77	UCF 205/25	F205	UC 205/25
14.97	10.04	1,2	UCF 206/30 EC	F206	UC 206/30 EC
14.97	10.04	1,12	UCF 207/30	F206	UC 206/30
19.75	13.67	1,55	UCF 207/25 EC	F207	UC 207/35 EC
19.75	13.67	1,41	UCF 207/35	F207	UC 207/35
22.71	15.94	2,05	UCF 208/40 EC	F208	UC 208/40 EC
22.71	15.94	1,9	UCF 208/40	F208	UC 208/40
24.36	17.71	2.20	UCF 209/45 EC	F209	UC 205/45 EC
24.36	17.71	1.98	UCF 209/45	F209	UC 205/45
26.98	19.84	2.40	UCF 210/50 EC	F210	UC 210/50 EC
26.98	19.84	2.21	UCF 207/50	F210	UC 210/50
33.37	25.11	3.50	UCF 211/55 EC	F211	UC 211/55 EC
33.37	25.11	3.35	UCF 211/55	F211	UC 211/55
36.74	27.97	4.20	UCF 212/60 EC	F212	UC 212/60 EC
36.74	27.97	3.95	UCF 212/60	F212	UC 212/60

Oval shaped flanged location units with clamp ring d = 25 to 40 mm



12.13.9

Main dimensions									
d	D	L	H	E	-	A ₁	A ₂	N	m
mm									
25	52	130	68	99	-	27	13	16	M14
	52	130	68	99	-	27	13	16	M14
30	62	148	80	117	-	31	13	16	M14
	62	148	80	117	-	31	13	16	M14
35	72	160	90	130	-	34	15	16	M14
	72	160	90	130	-	34	15	16	M14
40	80	175	100	144	-	36	15	16	M14
	80	175	100	144	-	36	15	16	M14
45	85	188	108	148	-	38	16	19	M16
	85	188	108	148	-	38	16	19	M16
50	90	197	83	116,5	-	40	16	19	M16
	90	197	83	116,5	-	40	16	19	M16
55	100	224	92	184	-	43	18	19	M16
	100	224	92	184	-	43	18	19	M16
60	110	250	140	202	-	48	18	23	M20
	110	250	140	202	-	48	18	23	M20



FMC



When using UE type bearings in FM hubs, the hub system designation is FME When using UD type bearings in FM hubs, the hub system designation is FMD When using US type bearings in FM hubs, the hub system designation is FMS

Basic load rating		Weight	Designation of		
dynamic C_r	static C_{or}		unit	housing	bearing
kN		kg			
10.78	6.98	0,64	UCFL-205/25EC	FL205	UC205/25EC
10.78	6.98	0,58	UCFL-205/25	FL205	UC205/25
14.97	10.04	1,08	UCFL-206/30EC	FL206	UC206/30EC
14.97	10.04	1	UCFL-206/30	FL206	UC206/30
19.75	13.67	1,45	UCFL-207/35EC	FL207	UC207/35EC
19.75	13.67	1,31	UCFL-207/35	FL207	UC207/35
22.71	15.94	1,75	UCFL-208/40EC	FL208	UC208/40EC
22.71	15.94	1,6	UCFL-208/40	FL208	UC-208/40
24.36	17.71	1.90	UCFL-209/45EC	FL209	UC209/45EC
24.36	17.71	1.87	UCFL-205/25	FL209	UC209/45
26.98	19.84	2.20	UCFL-206/50EC	FL210	UC210/50EC
26.98	19.84	1.98	UCFL-206/50	FL210	UC210/50
33.37	25.11	1,45	UCFL-207/55EC	FL211	UC211/55EC
33.37	25.11	3.95	UCFL-207/55	FL211	UC211/55
36.74	27.97	4.0	UCFL-212/60EC	FL212	UC208/60EC
36.74	27.97	3.97	UCFL-212/60	FL212	UC-208/60